

Product Specification



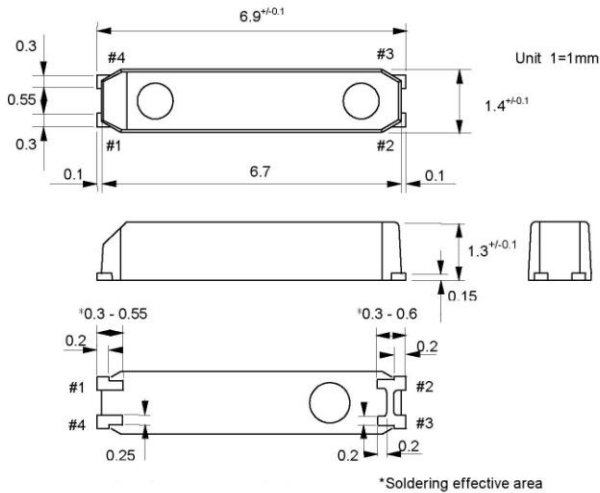
This product is certified to comply with the RoHS Directive 2002/95/EC.

X32K768SM715* Watch Crystal



- 6.9x1.5x1.4mm
- Small size
- Surface mount
- Low cost

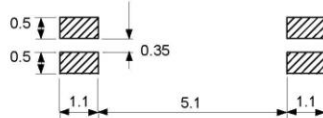
External dimensions



Internal connection



Example of soldering pattern



Specification

Frequency	32.768kHz
Adjustment tolerance	±20ppm
Turnover temp.	25°C±5°C
Temp. coefficient	-0.034ppm/°C ² typical
Temp. range	-40 ~ +85°C
ESR	65kΩ max.
Load capacitance	12.5pF
Drive level	0.05uW

*' suffix denotes RoHS Compliant

Standard packing: 3Kpcs per 13" taped reel

Reflow Profile

